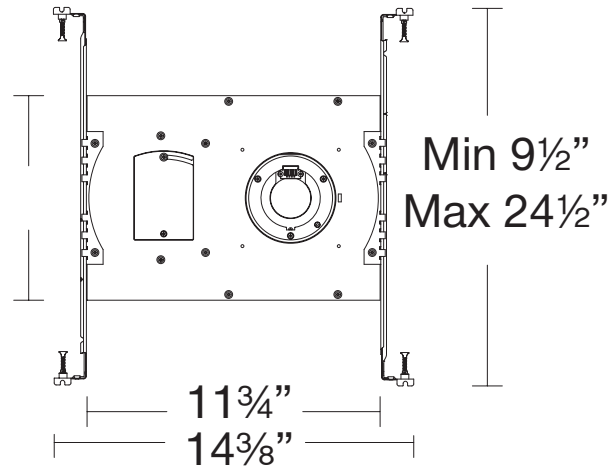
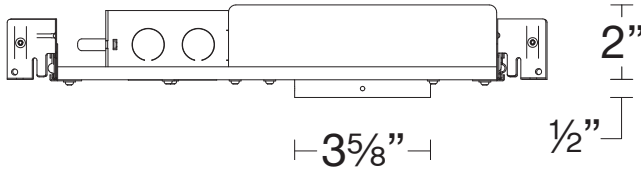


Aether 2"

Extreme Shallow IC LED Housing

HR-2LED-H13A | HR-2LED-H13AC

Fixture Type: _____
 Project: _____
 Catalog#: _____
 Location: _____



PRODUCT DESCRIPTION

Aether is a next-level downlight, with an extreme-low profile that is designed to fit in tight plenum spaces without compromising lumen output or glare control. Choose from round or square in an array of finishes. With features such as vertical and horizontal adjustment. Aether is suitable for a wide range of applications including residential, commercial, hospitality and architectural.

SPECIFICATIONS

- Construction:** Powder coated die-cast aluminum housing
- Dimming:** ELV, TRIAC, and 0-10V: 100 - 5%
- Input:** 120V - 277V AC
- Power:** 15W, power factor 0.9
- Mounting:** Retention clips firmly hold trim to housing
Accommodates ceiling thickness of 1/2" - 1"
- Cutout:** Trim: Ø3 3/4"; Trimless: Ø4 1/8"
- Standards:** UL & cUL Listed, IC rated Airtight, Title 24 JA8 Compliant
- Warranty:** 5 year WAC Lighting guaranteed warranty



Aether 2”

Extreme Shallow IC LED Housing

HR-2LED-H13A | HR-2LED-H13AC

Fixture Type: _____

Project: _____

Catalog#: _____

Location: _____

ORDERING INFORMATION

HOUSINGS

	Model	Power	Rating
New Construction, Airtight	HR-2LED-H13A	15W	IC
New Construction, Airtight, Chicago Plenum	HR-2LED-H13AC	15W	IC

HR-2LED-H13__

Example: HR-2LED-H13A